



WASHINGTON

HERRON ISLAND

PIERCE COUNTY

TITLE:

OWNER/DEVELOPER:
HMC MANAGEMENT, LLC.
C/O CLAUDIA ELLSWORTH
HERRON ISLAND MANAGER
PO BOX 119
LAKEBABY, WASHINGTON 98349

BASELINE ENGINEERING, INC.
Land Development Professional Services
(253)565-4491 • Seattle (206)824-1205 • FAX (253)565-8663
Land Planning & Use • Engineering • Surveying
1910-64th Avenue West • Tacoma, WA 98466

DESIGNED: _____
DRAWN: KFE
CHECKED: TOF
DATE: 10/12/11
SCALE: 1"=100'

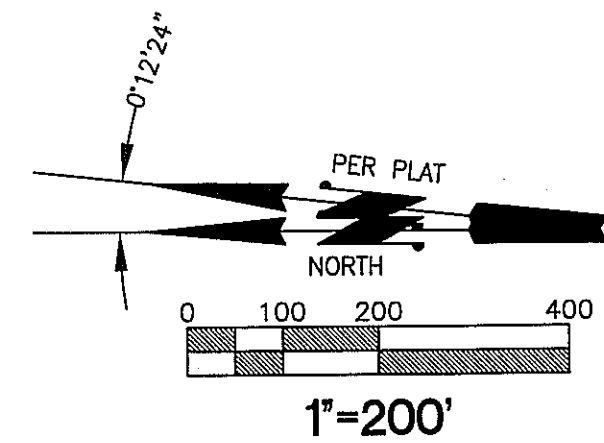
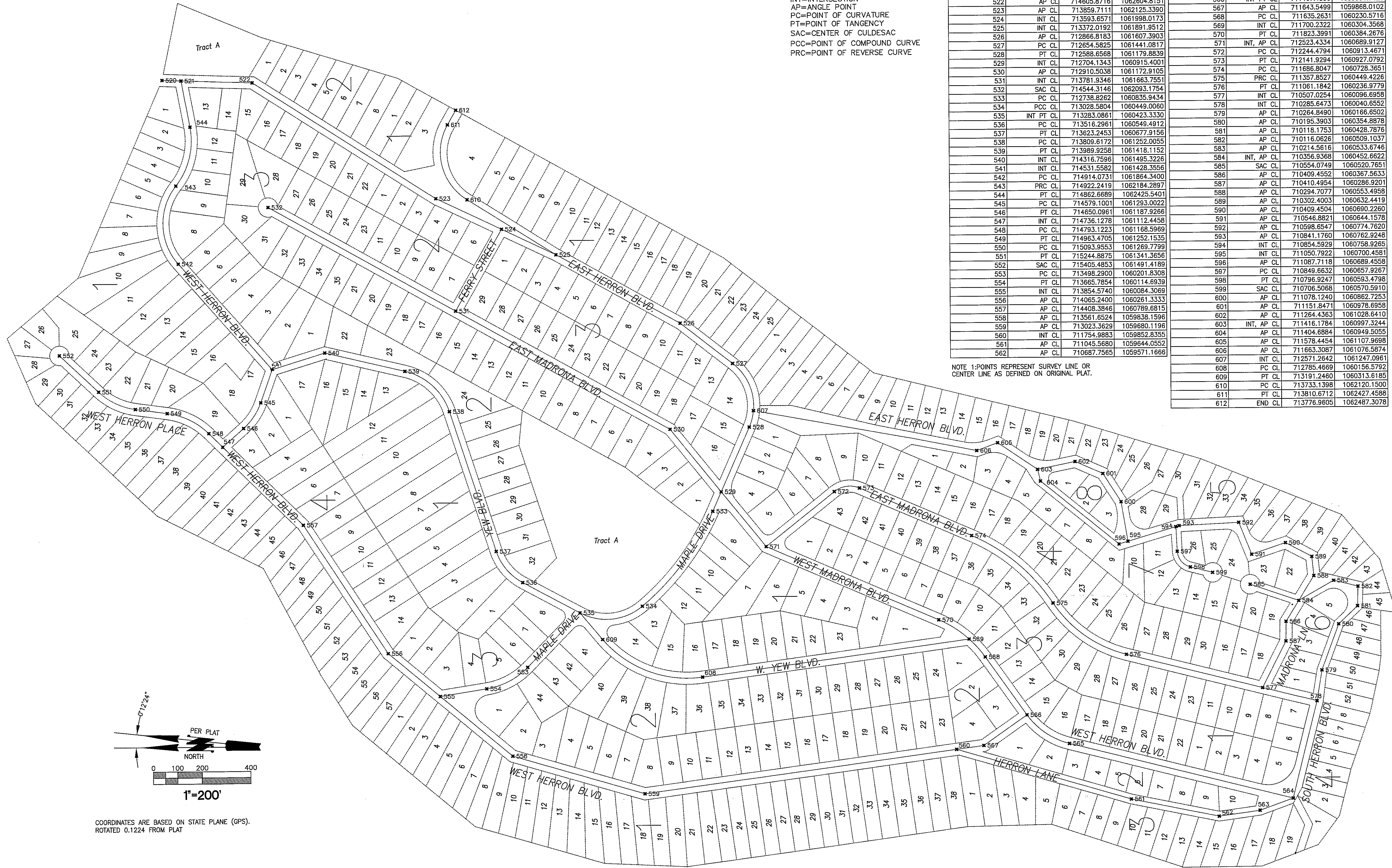
SHEET
1 OF 3
JOB NO.
09-100

LEGEND
CL= CENTER LINE
INT= INTERSECTION
AP= ANGLE POINT
PC= POINT OF CURVATURE
PT= POINT OF TANGENCY
SAC= CENTER OF CULDESAC
PCC= POINT OF COMPOUND CURVE
PRC= POINT OF REVERSE CURVE

POINT TABLE (SEE NOTE #1)			
POINT NUMBER	DESCRIPTION	NORTHING	EASTING
520	END CL	714975.7404	1062617.8953
521	INT CL	714898.1389	1062615.1510
522	AP CL	714605.8716	1062604.8151
523	AP CL	713859.7111	1062125.3390
524	INT CL	713593.6571	1061998.0173
525	INT CL	713372.0192	1061891.9512
526	AP CL	712866.8183	1061607.3903
527	PC CL	712654.5825	1061441.0817
528	PT CL	712588.6568	1061179.8839
529	INT CL	712704.1343	1060915.4001
530	AP CL	712910.5038	1061172.9105
531	INT CL	713781.9346	1061663.7551
532	SAC CL	714544.3146	1062093.1754
533	PC CL	712738.8262	1060835.9434
534	PCC CL	713028.5804	1060449.0080
535	INT PT CL	713516.2961	1060423.3330
536	PC CL	713516.2961	1060546.4912
537	PT CL	713623.2453	1060677.8156
538	PC CL	713809.6172	1061252.0055
539	PT CL	713989.9258	1061418.1152
540	INT CL	714316.7596	1061495.3226
541	INT CL	714531.5582	1061428.3556
542	PC CL	714914.0731	1061864.3400
543	PRC CL	714922.2419	1062184.2897
544	PT CL	714862.6689	1062425.5401
545	PC CL	714579.1001	1061293.0022
546	PT CL	714650.0961	1061187.9266
547	INT CL	714736.1278	106112.4458
548	PC CL	714793.1223	1061168.5969
549	PT CL	714963.4705	1061252.1535
550	PC CL	715093.9553	1061269.7799
551	PT CL	715244.8875	1061341.3656
552	SAC CL	715405.4853	1061491.4189
553	PC CL	713498.2900	1060201.8308
554	PT CL	713665.7854	1060114.6939
555	INT CL	713854.5740	1060084.3069
556	AP CL	714065.2400	1060281.3333
557	AP CL	714408.3846	1060789.6815
558	AP CL	713561.6524	1059838.1596
559	INT CL	713023.3629	1059680.1196
560	INT CL	711754.9883	1059852.8355
561	AP CL	711045.5680	1059644.0552
562	AP CL	710687.7565	1059571.1666

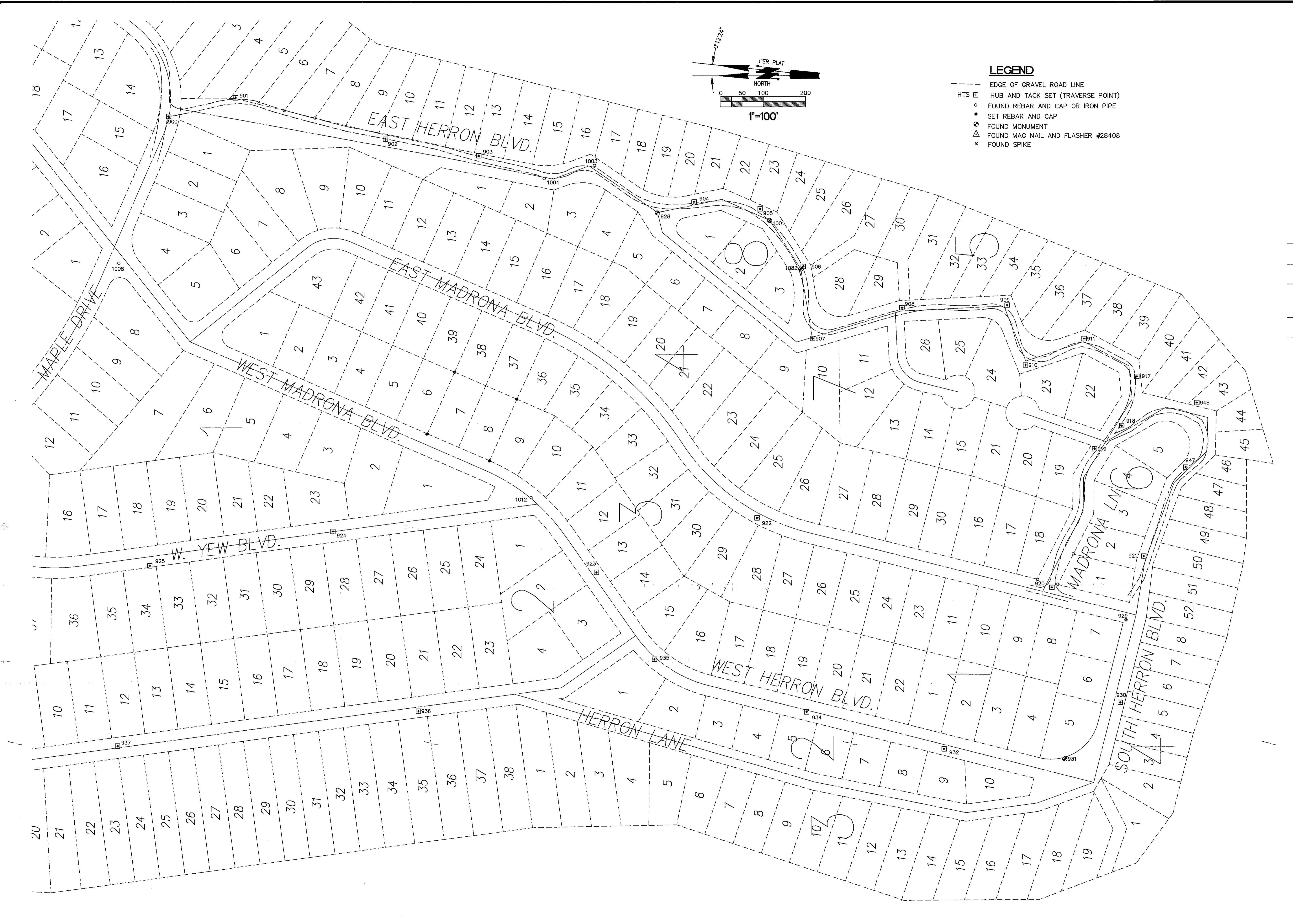
NOTE 1: POINTS REPRESENT SURVEY LINE OR CENTER LINE AS DEFINED ON ORIGINAL PLAT.

POINT TABLE (SEE NOTE #1)			
POINT NUMBER	DESCRIPTION	NORTHING	EASTING
563	AP CL	710521.2262	1059594.0850
564	INT CL	710386.2626	1059643.1926
565	PC CL	711295.6087	1059873.3882
566	INT PT CL	711467.4530	1059991.7420
567	AP CL	711643.5499	1059868.0102
568	PC CL	711635.2631	1060230.5716
569	INT CL	711700.2322	1060304.3568
570	PT CL	711823.3991	1060384.2670
571	INT, AP CL	712523.4334	1060689.9127
572	PC CL	712244.4794	1060913.4671
573	PT CL	712141.9294	1060927.0792
574	PC CL	711686.8047	1060728.3651
575	PRC CL	711357.8527	1060449.4226
576	PT CL	711061.1842	1060236.9779
577	INT CL	710507.0254	1060096.6958
578	INT CL	710285.6473	1060040.6552
579	AP CL	710264.8490	1060166.6502
580	AP CL	710195.3903	1060354.8878
581	AP CL	710118.1753	1060428.7876
582	AP CL	710116.0626	1060509.1037
583	AP CL	710214.5616	1060533.6746
584	INT, AP CL	710356.9368	1060452.6622
585	SAC CL	710554.0749	1060520.7651
586	AP CL	710409.4552	1060367.5633
587	AP CL	710410.4954	1060286.9201
588	AP CL	710294.7077	1060553.4958
589	AP CL	710302.4003	1060632.4419
590	AP CL	710409.4504	1060690.2260
591	AP CL	710546.8821	1060644.1578
592	AP CL	710598.6547	1060774.7620
593	AP CL	710841.1760	1060762.9248
594	INT CL	710854.5929	1060758.9265
595	INT CL	711030.7922	1060700.4581
596	AP CL	711087.7118	1060689.4558
597	PC CL	710849.6632	1060687.9267
598	PT CL	710796.9247	1060593.4798
599	SAC CL	710706.5068	1060570.5910
600	AP CL	711078.1240	1060862.7253
601	AP CL	711151.8471	1060978.6958
602	AP CL	711264.4363	1061028.6410
603	INT, AP CL	711416.1784	1060997.3244
604	AP CL	711404.6884	1060949.5055
605	AP CL	711578.4454	1061107.9698
606	AP CL	711663.3087	1061076.5874
607	INT CL	712571.2642	1061247.0961
608	PC CL	712785.4669	1060156.5792
609	PT CL	713191.2460	1060313.6185
610	PC CL	713733.1398	1062120.1500
611	PT CL	713810.6712	1062427.4588
612	END CL	713776.9605	1062487.3078



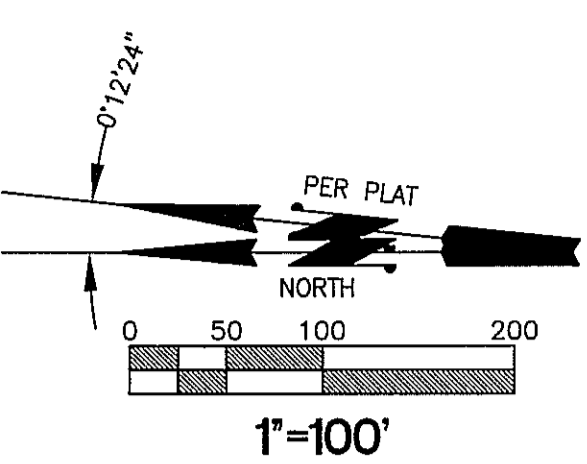
COORDINATES ARE BASED ON STATE PLANE (GPS).
ROTATED 0.1224° FROM PLAT

Revision
No. Date By Appr.



LEGEND

- EDGE OF GRAVEL ROAD LINE
- HTS □ HUB AND TACK SET (TRAVERSE POINT)
- FOUND REBAR AND CAP OR IRON PIPE
- SET REBAR AND CAP
- FOUND MONUMENT
- △ FOUND MAG NAIL AND FLASHER #28408
- FOUND SPIKE



No.	Date	By	Appr.



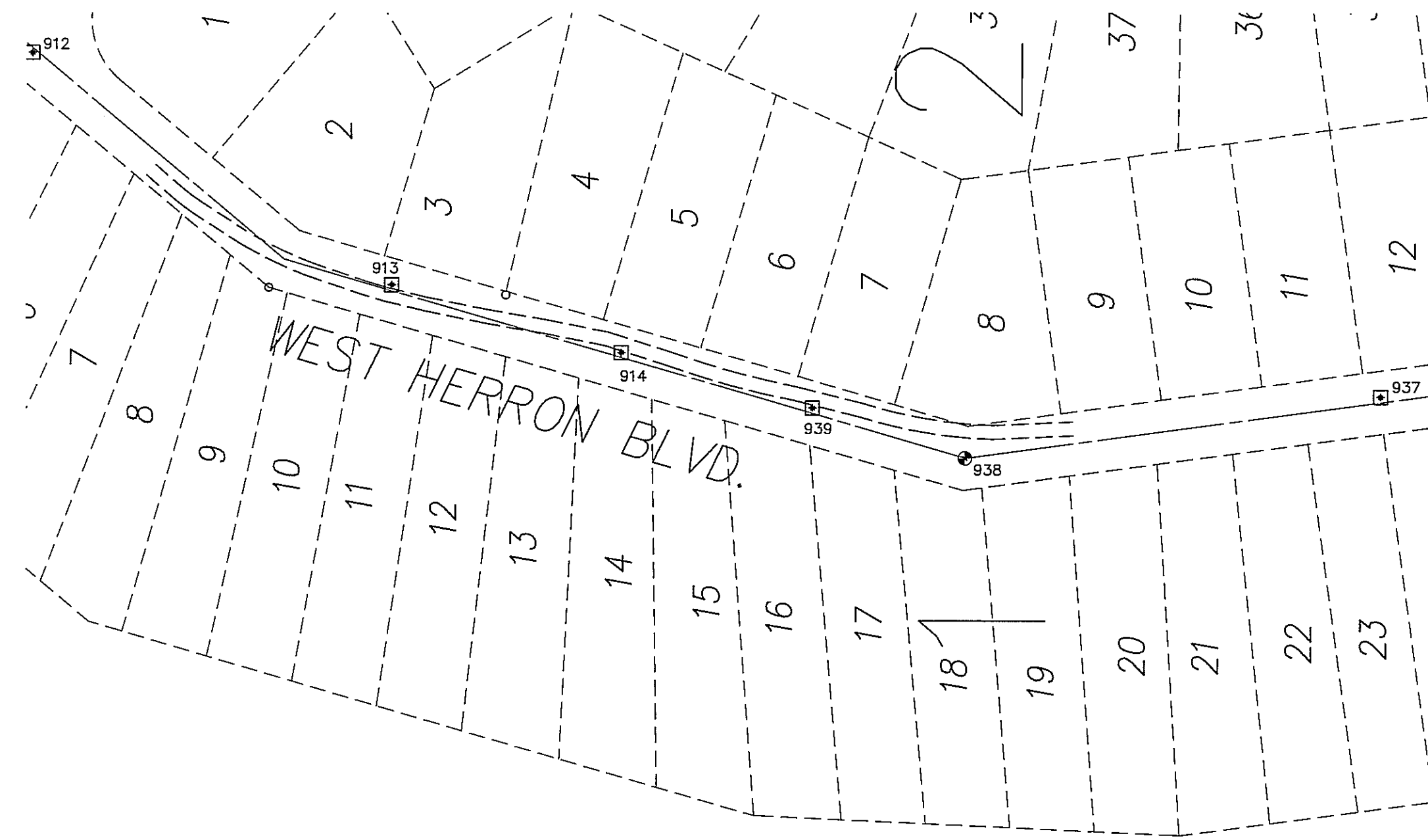
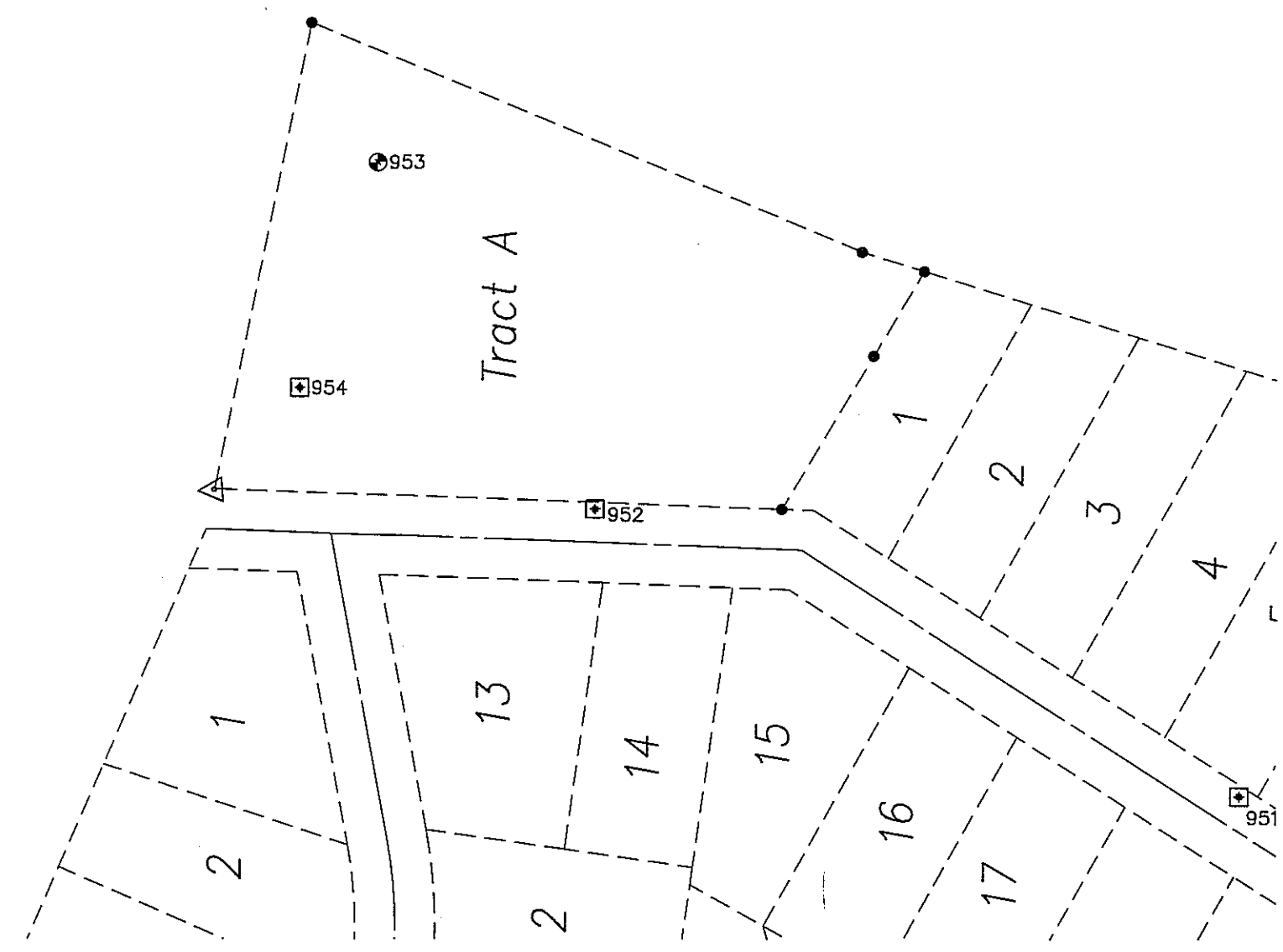
TITLE:
HERRON ISLAND SURVEY CONTROL

OWNER/DEVELOPER:
**HMC MANAGEMENT, LLC.
 C/O CLAUDIA ELLSWORTH
 HERRON ISLAND MANAGER
 PO BOX 119
 LAKEBAY, WASHINGTON 98349**

BASELINE ENGINEERING, INC.
Land Development Professional Services
 (253)565-4491 • Seattle (206)924-1205 • FAX (253)565-8563
 Land Planning & Use • Engineering • Surveying
 1910-64th Avenue West, • Tacoma, WA 98466

DESIGNED _____	SCALE 1"=100'
DRAWN KRF	
CHECKED TCF	
DATE 10/12/11	
SHEET	
2	OF 3
JOB NO.	
09-100	

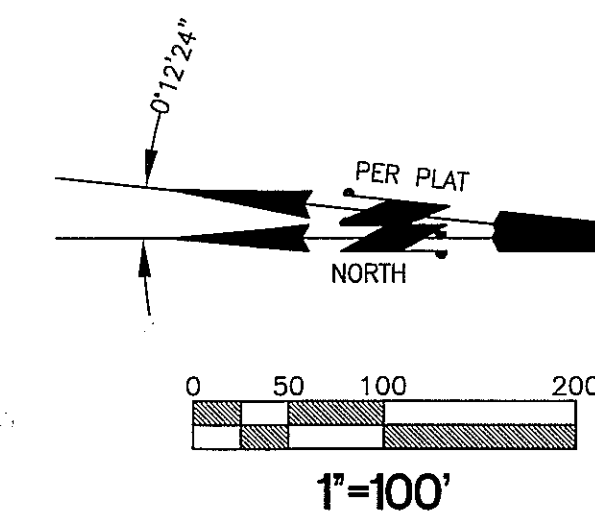
PIERCE COUNTY WASHINGTON



OTHER TRAVERSE POINT TABLE			
POINT NUMBER	DESCRIPTION	NORTHING	EASTING
900	RAILROAD SPIKE	712574.8448	1061225.5062
929	FOUND SPIKE	710309.2852	1060029.1566
931	BELL MONUMENT	710454.5962	1059699.0369
938	2" BRASS DISK	713023.3629	1059680.1196
942	BELL MONUMENT	713308.0868	1060518.9895
953	1 1/2" DISK	714869.2991	1062846.4483
1003	5/8" REBAR/CAP	711565.4353	1061109.2587
1004	5/8" REBAR/CAP	711684.5964	1061078.0219
1008	5/8" REBAR/CAP	712693.5603	1060876.7576
1010	5/8" REBAR/CAP	712950.8628	1060500.0408
1012	5/8" REBAR/CAP	711715.1404	1060319.5347
1025	5/8" REBAR/CAP	713270.8637	1060409.9039

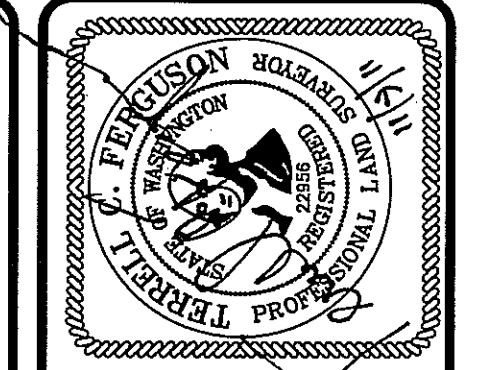
COORDINATES ARE BASED ON STATE PLANE (GPS), ROTATED 0.1224 FROM PLAT.

HUB AND MAG NAIL TRAVERSE POINT TABLE			
POINT NUMBER	DESCRIPTION	NORTHING	EASTING
901	HTS	712415.7571	1061269.2228
902	HTS	712059.4481	1061171.4273
903	HTS	711839.6417	1061132.2266
904	HTS	711329.5981	1061022.3598
905	HTS	711174.5568	1061006.1366
906	HTS	711072.2084	1060869.0441
907	HTS	711049.8771	1060897.4687
908	HTS	710838.9697	1060770.6833
909	HTS	710591.0590	1060777.1734
910	HTS	710547.3842	1060634.5775
911	HTS	710408.4817	1060697.2752
912	HTS	713761.3514	1060002.1833
913	HTS	713476.5333	1059817.9542
914	HTS	713295.4980	1059763.9416
917	HTS	710283.5503	1060607.3100
918	HTS	710319.2806	1060490.4774
919	HTS	710383.5039	1060435.6275
920	HTS	710484.7085	1060106.5315
921	HTS	710267.1147	1060180.4380
922	HTS	711181.2673	1060271.7283
923	HTS	711560.0820	1060142.4979
924	HTS	712183.0223	1060238.9876
925	HTS	712618.7786	1060157.6866
926	HTS	712990.9665	1060159.7069
930	HTS	710323.0899	1059833.2991
932	HTS	710739.5082	1059722.5403
934	HTS	711063.9289	1059810.8175
935	HTS	711422.7225	1059935.9317
936	HTS	711980.7125	1059812.2647
937	HTS	712695.2271	1059729.1077
939	HTS	713144.7118	1059720.1086
941	HTS	713456.1509	1060519.6853
944	HTS	712792.6659	1061568.1521
945	HTS	713510.9494	1061949.4704
946	HTS	713946.7068	1062147.4055
947	HTS	710168.0553	1060391.5139
948	HTS	710141.4658	1060544.8010
951	HTS	714332.7809	1062451.6425
952	HTS	714733.9239	1062630.1618
954	HTS	714917.6310	1062706.0220
955	HTS	714854.8032	1062288.5855
956	HTS	714775.7489	1062262.7307
957	HTS	714536.8243	1062111.8506
958	HTS	714028.9900	1061813.1653
959	HTS	713462.2349	1061497.5293
960	HTS	712970.9728	1061223.6058



- LEGEND**
- EDGE OF GRAVEL ROAD LINE
 - HTS [] HUB AND TACK SET (TRAVERSE POINT)
 - FOUND REBAR AND CAP OR IRON PIPE
 - SET REBAR AND CAP
 - ⊙ FOUND MONUMENT
 - △ FOUND MAG NAIL AND FLASHER #28408
 - FOUND SPIKE

No.	Date	By	Appr.	Revision



TITLE:
HERRON ISLAND SURVEY CONTROL
 WASHINGTON

OWNER/DEVELOPER:
HMC MANAGEMENT, LLC.
C/O CLAUDIA ELLSWORTH
HERRON ISLAND MANAGER
PO BOX 119
LAKEBAY, WASHINGTON 98049

BASELINE ENGINEERING, INC.
Land Development Professional Services
 (253)565-4491 • Seattle (206)824-1205 • FAX (253)565-8663
 Land Planning & Use • Engineering • Surveying
 1910-64th Avenue West, • Tacoma, WA 98466

DESIGNED _____
 DRAWN KRF
 CHECKED TCF
 DATE 10/12/11
 SCALE 1"=100'

SHEET
3 OF **3**
 JOB NO.
09-100